

T-NO.1™



TNo. 1™ is an exclusive table series created by the American designer Todd Bracher. The main feature is the tabletop hovering above the curved, sturdy and structural frame. The design is a perfect example of Todd Bracher's provocative credo that his design doesn't demand any explanations. In the eyes of Todd Bracher, the TNo. 1 table is just a frame and a surface – and nothing else. It looks as if it has been created in one long, natural movement and therefore couldn't have been designed in any other way.



TODD BRACHER 1974-

Todd Bracher was born in New York, but moved to Copenhagen at the age of 24 to study design in the city where heroes such as Arne Jacobsen and Poul Kjærholm had lived. After his stay in Copenhagen he moved to Paris, Milan and London before returning to his roots and settling down in Brooklyn. He has now arrived at his own take on what constitutes good design, and that vision has come to expression in the new table he has designed for Fritz Hansen; a table which can be used both for meetings and for dinner.

Despite his New York roots, Todd Bracher's work takes the Scandinavian design tradition as its reference point. It was this fascination with Scandinavian design which took him to Copenhagen to graduate from Danmarks Designskole, and it was this feeling of belonging that made him an obvious choice for Fritz Hansen.

"All design is about the delicate balance between overdesigning and under-designing the object. I like the fact that the table looks as if it couldn't have been made in any other way. It is as if it was created in one long, natural movement." Todd Bracher.

"It's important for me that it doesn't demand too many explanations. There is nothing to understand - it is just a frame and a surface." Todd Bracher.



DESIGN

Todd Bracher, 2008

DESCRIPTION

Table series designed by Todd Bracher, manufactured by Fritz Hansen.

The accessories include cable trays made from formed aluminium sheets that have been anodized on both sides. The outline drawings show which cable trays correspond to the individual table lengths.

VARIATIONS

Table tops are available in five different variants and can be combined with three different frames.

TABLE FRAMES

- High-gloss burnished aluminium
 - Black powder-lacquered aluminium, gloss 50
 - White powder-lacquered aluminium, gloss 50
- Legs and wings are pressure-cast and cross bars are extruded.

TABLE SURFACES

- 24 mm Walnut, with walnut edges
- 24 mm Coloured ash in black with ash edges
- 15 mm Glass, F-edge, tempered glass with iron oxide
- 15 mm Underlacquered white glass, F-edge, tempered glass with iron oxide

ENVIRONMENT & TESTS

All frame parts can be disassembled for recycling. Aluminium frames can be melted down and re-used. Table tops in veneer and high-pressure laminate can be incinerated. Glass table tops can be recycled or sent to a landfill.

TNo. 1™ is tested according to EN 15372 for strength, durability and stability - test level 2 general contract use and EN 1730:2000.

WARRANTY

Standard goods have warranty for five years against manufacturing defects (i.e. materials and design). The warranty does not cover leather and other fabrics ordered as customers own or special material. Normal wear and tear and damage of covers are not covered by the warranty. Fritz Hansen offer up to 10 years limited warranty if the products are registered online at fritzhenzen.com/my-republic. The warranty for wicker, rugs and lamps is 2 years.



DIMENSIONS

TABLE TOP WIDTHS

100 (TB1-TB3), 120 cm (TB5-TB7) and 140 cm (TB9-TB11).

TABLE TOP LENGTHS

200, 240 and 280 cm

The following is a selection of the available range and corresponds to the drawings shown. Table extension leaves can be joined arbitrarily to form longer tables. A table always starts and ends with the end legs. There is no limit to the number of table tops that can be joined together end to end. The width of the table top remains constant for the individual table.

MODEL TB1/ TB5

Length: 200 cm

MODEL TB6/ TB10

Length: 240 cm

MODEL TB7

Length: 280 cm

TB1 A + TB1 C + TB1 B/
TB5 A + TB5 C + TB5 B
600 cm (200+200+200)

TB6 A + TB6 C + TB6 B
TB10 A + TB10 C + TB10 B
720 cm (240+240+240)

TB7 A + TB7 C + TB7 B/
840 cm (280+280+280)

CABLE COVERS

2 cable covers – rectangular or circular, for veneer and laminate table tops.

Rectangular, 32.5 x 13 cm

Circular, Ø 8.8 cm.

Cable covers are not available for TB1, TB5, TB6, TB7 and TB10.

LENGTHS

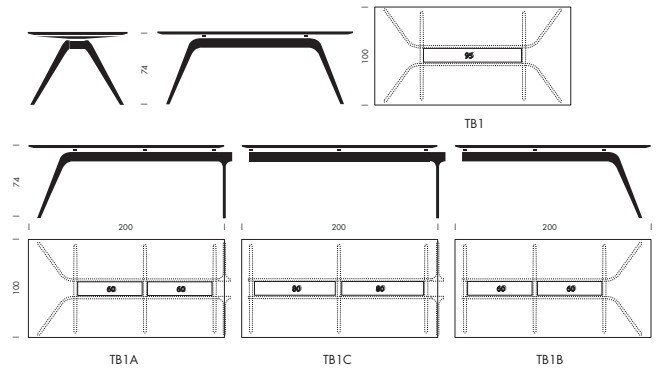
60 cm (TB1 A, TB1 B, TB5 A, TB5 B, TB6, TB10)

80 cm (TB1 C, TB5 C, TB6 A, TB6 B, TB7, TB10 A, TB10 B)

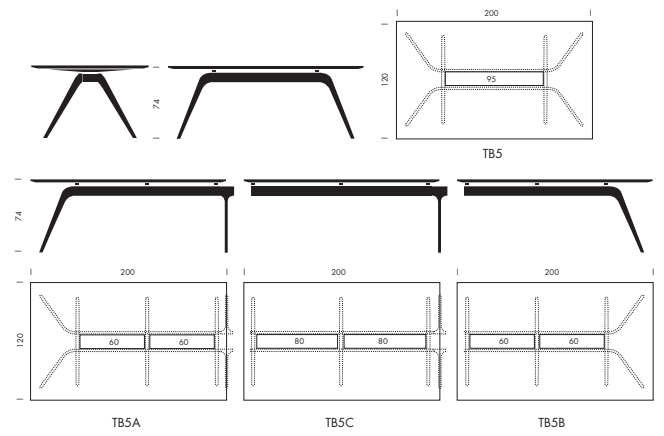
95 cm (TB6 C, TB7 A, TB7 B, TB7 C, TB10 C)



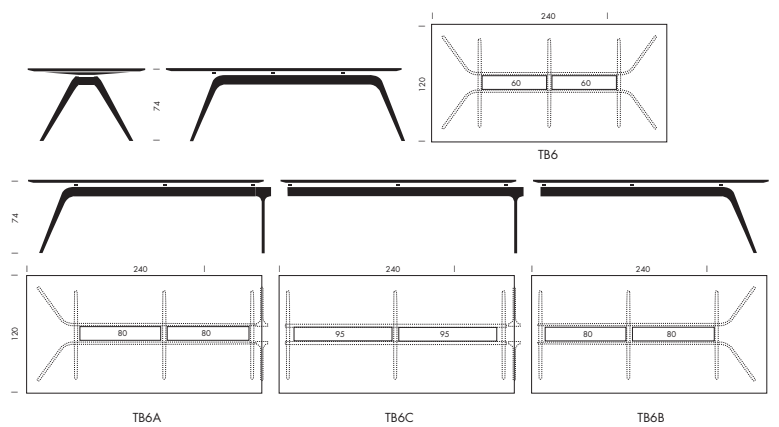
T-NO.1™ - TB1
- TB1 A
- TB1 B
- TB1 C



T-NO.1™ - TB5
- TB5 A
- TB5 B
- TB5 C

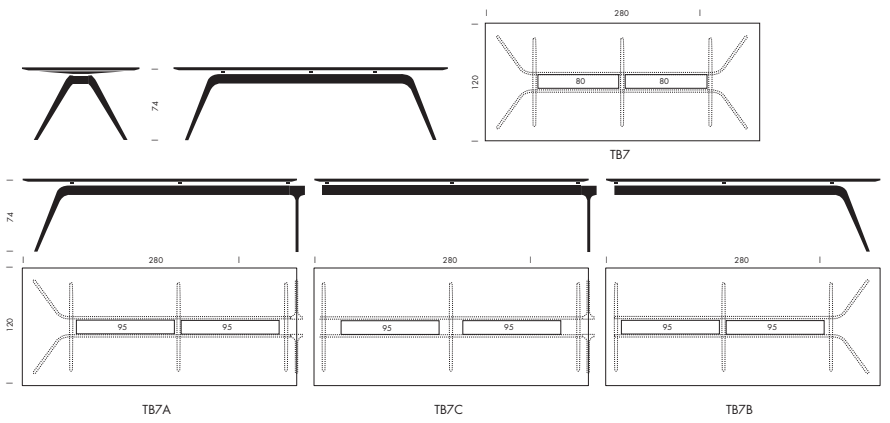


T-NO.1™ - TB6
- TB6 A
- TB6 B
- TB6 C

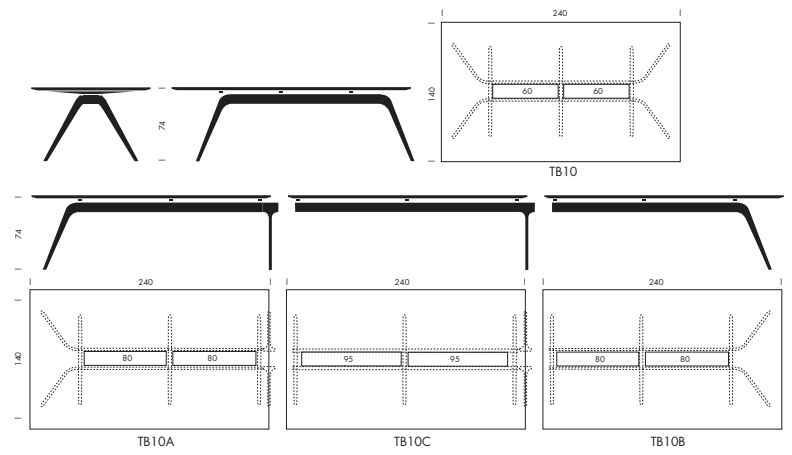




T.NO.1™ - TB7
- TB7 A
- TB7 B
- TB7 C



T.NO.1™ - TB10
- TB10 A
- TB10 B
- TB10 C



Fritz Hansen A/S ® - This documentation and the products and designations therein are protected by law, including the Danish Copyright Act, Trademark Act and Marketing Practices Act, and may not be used without prior written authority from Fritz Hansen A/S. Legal proceedings may be instituted against any parties breaching the rights of Fritz Hansen A/S.

HEADQUARTERS

DENMARK - Allerød

SHOWROOMS

DENMARK - Copenhagen / HOLLAND - Amsterdam / ITALY - Milan /
JAPAN - Tokyo / NORWAY - Oslo / SWEDEN - Stockholm /
UNITED KINGDOM - London / U.S.A. - New York

